

LRES2036PT-POE

—PCIe x4 Ten-port PoE+ Gigabit Vision Frame Grabber Card (Intel Chip Based)

Overview



LRES2036PT-POE is a PCIe x4 10-port PoE+ gigabit ethernet image capture card independently developed by Shenzhen Lianrui Electronics Co., Ltd. based on the Intel chip. It is also compatible with PCIe x8, x16 channels. The server adapter card design is mainly designed to be applied to industrial field visual inspection servers and equipment, visual field clients, fast-moving Ethernet data transmission equipment, etc. It is also suitable for ordinary servers.

LRES2036PT-POE is developed on the intel ethernet MAC+PHY (Media Access Controller and Physical Interface Transceiver) controller, which allows multiple ports to be in full duplex at the same time when the gigabit ethernet connection is the highest. The working mode is suitable for high-performance network communication, which can expand bandwidth through link aggregation and save PCI Express channel resources without occupying bus bandwidth.

Key Features

1. The single-port PoE output power consumption is up to 30W;
2. Adapt to the power output required by external equipment;
3. The adapter card adopts a wider RJ45 spacing design;
4. The interface designed for industrial-grade cable access, with LR-LINK customized industrial network cable, can lock the cable and network port more firmly, effectively solving the problem of unstable connection between the network port and the cable in the industrial site. At the same time compatible with ordinary cable access;
5. A larger heat sink can effectively solve the heat dissipation problem of the adapter in the case of a poor heat dissipation environment, and effectively ensure the long-term stable operation of the adapter card;
6. The thickened heavy gold RJ5 connector is carefully selected to ensure a more solid and reliable connection;
7. The design of 10 8-Pin RJ45 headers can better save the valuable PCIe slot resources of the motherboard.

Specifications

Controller	Intel Chip
Baffle Height	Full height
Power Consumption	15.0W
PoE power/port	30W(max)
System Support	Windows 7/8/8.1/10
	Windows Server 2008 R2/2012 R2/2016 R2/2019 R2;
	Linux Stable Kernel version 3.x/4.x or later;
	Linux CentOS/RHEL 6.x / 7.x or later;
	Ubuntu 14.x/15.x/16.x or later;
	VMware ESX/ESXi 4.x/5.x/6.x or later
Bus Type	PCIe v2.1 x4, compatible with x8、x16
Data rate supported per port	10/100/1000MbE
Connector	10*8-Pin RJ45

Technical Features

Protocol Support	IEEE802.3at -2009 PoE standard IEEE802.3af -2003 PoE standard IEEE 802.3ab 1000BASE-T Gigabit Ethernet IEEE 802.3u 100BASE-TX Fast Ethernet IEEE 802.3z IEEE 802.1Q VLANs IEEE 802.3x IEEE 1588 IEEE 802.3az - Energy Efficient Ethernet (EEE)
iSCSI	No
WoL	No
Jumbo Frames	Yes
DPDK	Yes
PXE	Yes
FCoE	No

Environment Features

Operating Temperature	0 °C to 55 °C (32 °F to 131 °F)
Storage Temperature	-40 °C to 85 °C (-40 °F to 185 °F)
Storage Humidity	Maximum: 90% non-condensing relative humidity at 35 °C

Physical Features

Size(mm)	2*(157.1*122.3*21)
Weight(g)	*

LED Indicators

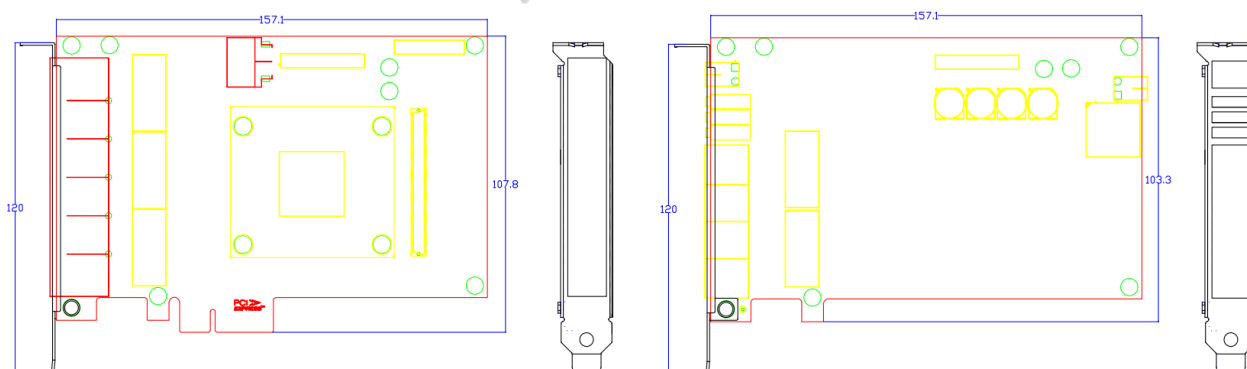
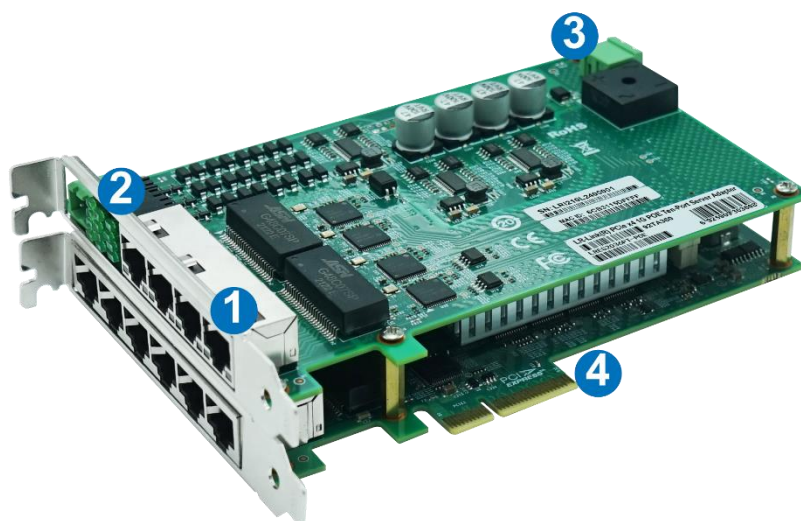
LED Indicators	POE: Green
	1000Mbps:Yellow Link + Green Blink
	100Mbps: Green Blink 10Mbps, No

Order Information

P/N	Description
LRES2036PT-POE	PCIe x4 Ten-port PoE+ Gigabit Vision Frame Grabber Card (Intel Chip Based)

PS: Above details are only for reference, if there is any change, no prior notice.

Product Structure



1. 10*1G RJ45 interface
2. PoE indication
3. PoE power input interface
4. PCIe x4 Bus

PS: Above details are only for reference, if there is any change, no prior notice.

Companion Products

Fiber NIC

- § LR-LINK PCI 100FX Desktop Adapter
- § LR-LINK PCIe 100FX Desktop Adapter
- § LR-LINK PCI 1000BASE-SX/LX Desktop Adapter
- § LR-LINK PCIe 1000BASE-SX/LX Desktop Adapter
- § LR-LINK PCIe 1000BASE-SX/LX Server Adapter
- § LR-LINK PCIe 10GBASE-SX/LX Server Adapter
- § LR-LINK PCIe 25GBASE-SX/LX Server Adapter
- § LR-LINK PCIe 40GBASE-SX/LX Server Adapter
- § LR-LINK PCIe 100GBASE-SX/LX Server Adapter

Copper NIC

- § LR-LINK PCI 10/100Mbps Desktop Adapter
- § LR-LINK PCIe 10/100Mbps Desktop Adapter
- § LR-LINK PCI 10/100/1000Mbps Desktop Adapter
- § LR-LINK PCIe 10/100/1000Mbps Desktop Adapter
- § LR-LINK PCIe 10/100/1000Mbps Server Adapter
- § LR-LINK PCIe 100/1G/10Gbps Server Adapter
- § LR-LINK PCIe 1G/2.5G/5G/10Gbps Server Adapter

Download Drivers

To get the drivers, please visit us at <http://www.lr-link.com/support/driver.html>.

Product Quick Guide

To know the network card basic knowledge to choose the suitable NIC you need, please visit us at: <http://www.lr-link.com/productchoose.html>.

Customer Support

LR-LINK customer Support Services offers a broad selection of programs including phone support and warranty service. For more information, contact us at Service and availability. <http://www.lr-link.com/contactus.html>

Shenzhen Lianrui Electronics Co.,LTD.

Shenzhen Lianrui Electronics Co.,Ltd is an efficient Ethernet adapter design company with independent research and development,using Intel,Net-swift,Tehuite,Broadcom,Realtek and other manufacturers Ethernet controller, developed by our company's independent R & D design team,manufacturedby our company workshop, and then sell.

Declaration

Our products specifications come from modifying the chip manufacturer's specifications released. Product features, technical parameters, technology right, intellectualproperty rights and brand names etc.mentioned in specifications are just referenced only.There is no infringement meaning.If there is any important andsensitive content related, please contact our Lianrui company, we'll delete them, Thank you.

SHENZHEN LIANRUI ELECTRONICS CON.,LTD.

ADD:C4 Bldg.,Xintang Industry Zone,Baishixia FuyongTown,Baoan District Shenzhen China

Tel:+86(0)755-33671531 33671533 Fax:+86(0)755-29082065

Product Sales service@lr-link.com

Technical Support support@lr-link.com

WEB www.lr-link.com



Copyright © Shenzhen Lianrui Electronics CO.,LTD,2006-2021. All rights reserved